

## Specification

### M6C LED Module Series

#### Features

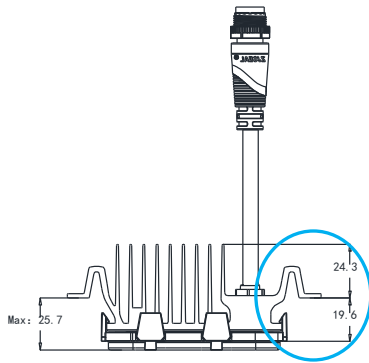
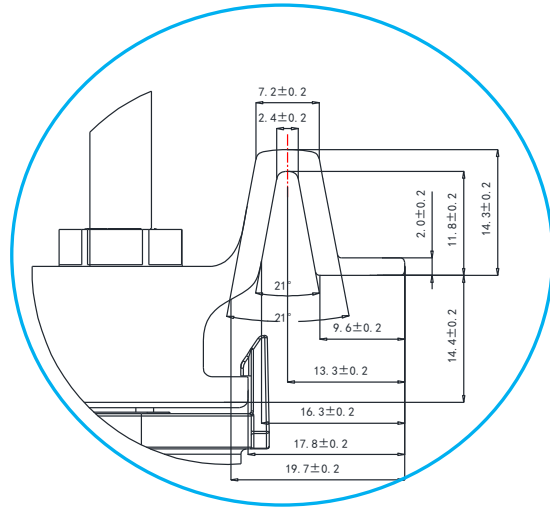
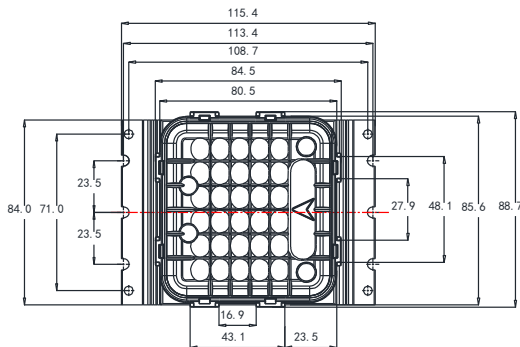
- Unique patented IP68 LED light engines;
- Lumileds LUXEON 3030 2D;
- Super long lifetime (lumen maintenance);
- Multiple lighting distributions available;
- Wide applicability for Complex situations.



#### Applications

- Street Light
- Garden Light
- Traditional retrofit light

### Dimensions and Weight



<b>Size</b>	115x89x50*(mm)
<b>Weight</b>	0.35±0.03 (kg)

\*The height of the module is maximum.

Unit: mm

Tolerance: ±0.5mm

### Electrical and Photometric Specifications

Model	Power @Power Efficiency =90%	Drive Current (mA)	Efficacy (lm/W)	Initial Lumens (lm)	DC Input Voltage (V)	CCT (K)	CRI	Beam Type	Lighting Source
M6C	20	750 (5P4S)	117±5	2340±100	22~26	3000	≥70	110° TYPE I Short	Lumileds Luxeon 3030 2D
	30	750 (5P6S)	117±5	3510±150		33~39			

Note :

Efficacy of 3000K is 5% less than other CCT;

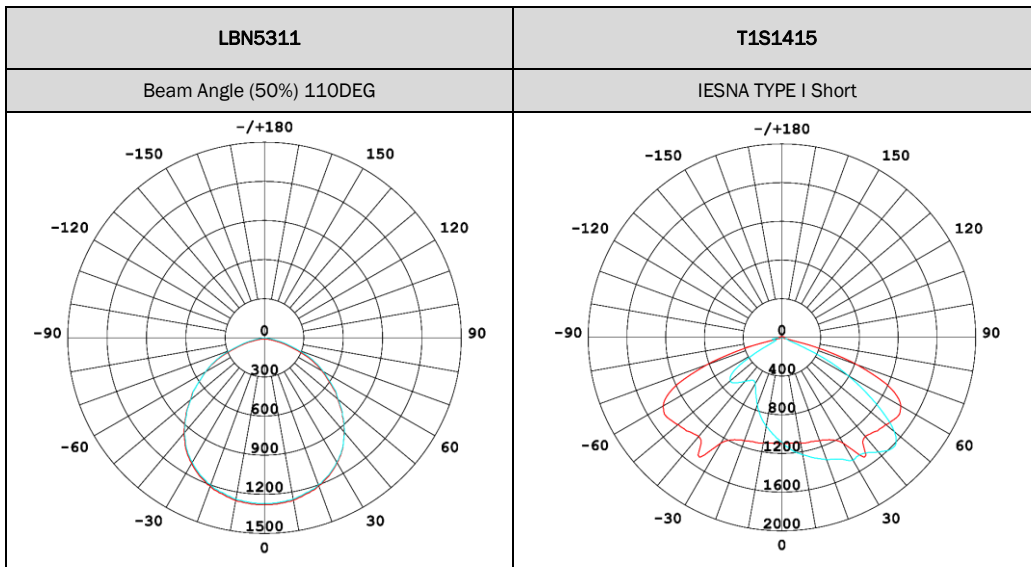
Above are all typical values.

## Environmental Specifications

Parameter	Symbol	Rating	Unit
Ts Typical Value	Ts	70	°C
Operating Temperature	Topr	-40 ~ +50	°C
Storage Temperature	Tstg	-40 ~ +50	°C
Relative Humidity	RH	10 ~ 90	%
IP Rating	IP	IP68	/

Note: Based on 25°C ambient temperature




## Lighting Distribution



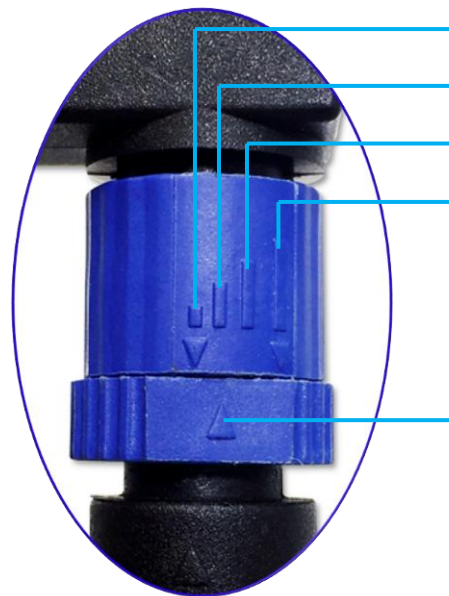
## Drivers Recommendation

Driver Description	Specification of Driver	Matched Modules
Driver for 1 module	Max Output Power:26W Output Voltage: 20~37V	20W@700mA ( 5P4S )
Driver for 1 module	Max Output Power:35W Output Voltage: 25~50V	30W@700mA ( 5P6S )
Driver for 2 modules	Max Output Power:75W Output Voltage: 38~62V	20W×2@700mA ( 5P4S )
Driver for 2 modules	Max Output Power:75W Output Voltage: 60~141V	30W×2@700mA ( 5P6S )
Driver for 3 modules	Max Output Power:105W Output Voltage: 60~150 V	30W×3@700mA ( 5P6S )
Driver for 4 modules	Max Output Power:150W Output Voltage: 80~214 V	30W×4@700mA ( 5P6S )

## Waterproof Connectors Recommendation

Picture	Description
	IP68 connector for 2 modules in series ( 40W/60W )
	IP68 connector for 3 modules in series ( 60W/90W )
	IP68 connector for 4 modules in series ( 80W/120W )

## Connectors Operation Guide

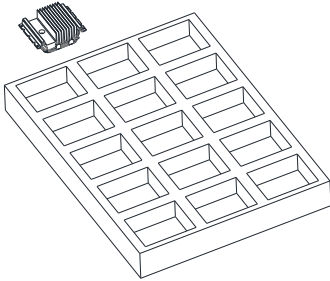


### Operation Guide:

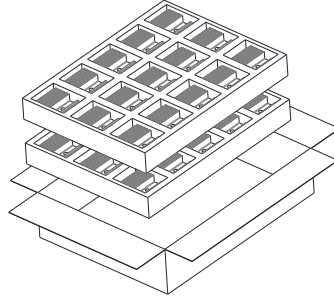
Spin the male terminal clockwise. When the male indicatrix points between indicatrix female #2 and #3, and the gap between male and female terminals is extremely small, the connectors are well connected; otherwise, there will be risks in its waterproof performance.

When the gap between male and female terminals is extremely small, if any looseness can be sensed, please spin the male terminal clockwise until tight.

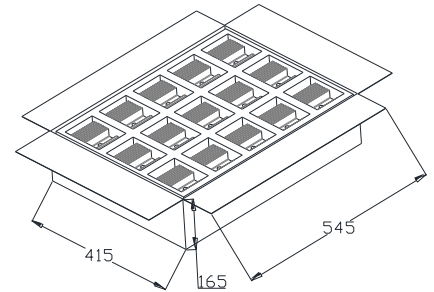
## Package Information



15pcs/ tray



2 trays/ carton



30 pcs/ carton

### Notes:

1. Packing dimensions: 545\*415\*165mm
2. Total weight for the packing: 13.5kg (Weight of the empty packing is 3kg)

Above data are all typical values which are for reference only.

## Ordering Information

Sample Number: M6C-20-L-5311-7-40

Module Type	LED qty	LED Brand	Lens code	CRI	CCT
<b>M6C</b>	<b>20</b> 20pcs LED	<b>L</b> LUMILEDS	<b>5311</b> 110°	<b>6</b> Ra≥60	<b>30</b> 3000K
	<b>30</b> 30pcs LED	<b>C</b> CREE	<b>1415</b> TYPE I Short	<b>7</b> Ra≥70	<b>40</b> 4000K
		<b>O</b> OSRAM		<b>8</b> Ra≥80	<b>50</b> 5000K
		<b>N</b> NICHIA		<b>9</b> Ra≥90	<b>57</b> 5700K
		<b>S</b> SAMSUNG			

## Version History

Change Date	Ver.	Description of Change		
		Item	From	To
2017/8/21	Ver.2.0	Data sheet release	/	/
2017/10/16	Ver.2.1	Optimize light efficacy and dimensioning		Optimize light efficacy and add dimensioning