

LED Module M6A Series



Specification

Working Environment: -40°C~+50°C

Storage Temperature: -40°C~+50°C

Relative humidity: 10%~90%RH

Typical value of pad temperature^[1]: 70°C

IP Rating of LED Light Engine: IP68

Color Temperature (CCT)^[2]: 3000K, 4000K, 5000K, 5700K

Main Material: Aluminum 6063

Module N.W.: 0.35±0.03 kg

Note :

[1] Typical values of pad temperature is obtained based on ambient temperature of 25°C.

[2] Efficacy of 3000K is 5% lower than other CCTs.

Features

- Lumileds Luxeon 3030;
- Super long lifetime(Lumen maintenance);
- Multiple lighting distributions available;
- Wide applicability for complex situations;
- High versatility apply for all sorts of lamps retrofit.

Application

- Street lighting retrofit and application;
- Garden lighting retrofit and application;
- Tunnel lighting retrofit and application.

Ordering Information

For example: M6A-VCA-30-1415-7040-LU

Module Model	Interface	Dimension of LEDS	Wire Material	LED Qty	Lens Model	Ra & CCT	LED Brand
M6A	V: V-shaped Groove	C: 3030	A: CCC+VDE	20 20PCS	1415 Type II Short	7030: Ra≥70, 3000K	LU: Lumileds
			C: PSE	30 30PCS	5311 Lambert Type	8040: Ra≥80, 4000K	SS: Samsung
			H: UL			...	XX: Others
			X: Others				

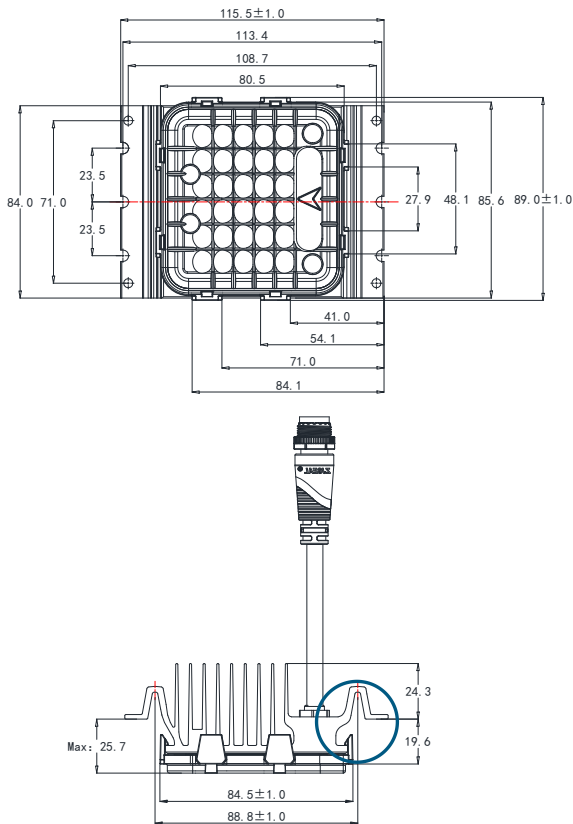
Performance

Model	Power (W)	Driving current (mA)	Input voltage (Vdc)	Efficacy (lm/W)	Lumens (lm)
M6A-VC-20	20	750	22~27	127	2540
M6A-VC-30	30	750	32-40	127	3810

Note : Values shown are subject to ±5%~±8% tolerance; Cable default A type;

Efficacy above is based on calculated @92% power efficiency ; Light efficacy of 3000K is 5% lower than other CCTs.

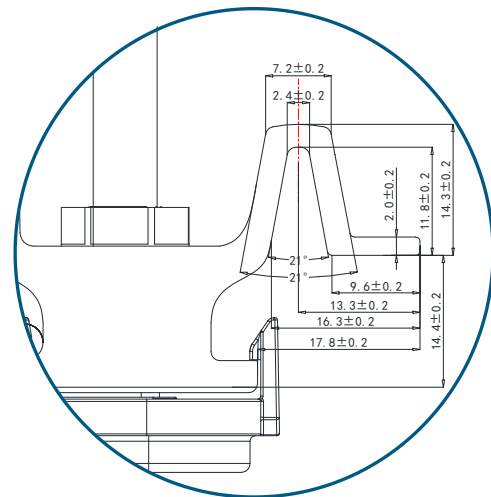
Dimensions



L (mm)	W (mm)	H (mm)
115.5	89	Max50

The height of the module is the maximum value.

Tolerance: ±0.5mm



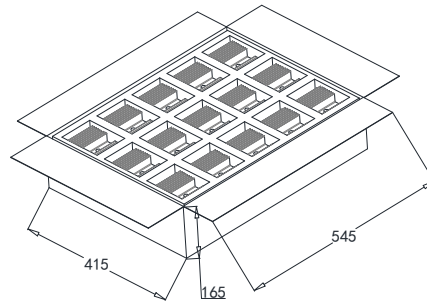
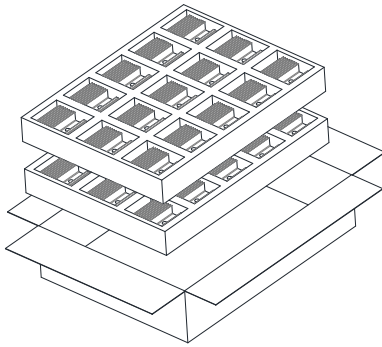
Available Lens Model

1415	5311
------	------

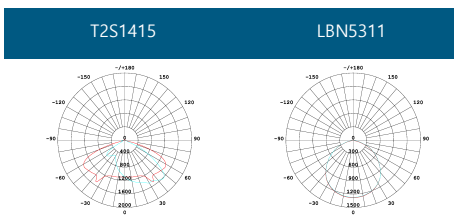
Package Information

L (mm)	W (mm)	H (mm)	Module pcs/carton (PCS)	Package weight (kg)
545	415	165	30	13.8

Values shown are subject to $\pm 5\%$ tolerance.



Lighting distributions



Version History

Change Date	Version	Description of Change		
		Item	From	To
20190702	Ver2.0	Data sheets release (new version)	/	/