

T12A

LED Street Light



Specifications

Input Voltage:	100 ~ 277Vac
Input Frequency:	50 / 60Hz
Power Factor (PF):	0.95
Surge Protection Level:	10kV line-earth
Operating Environment:	-40°C ~ +50°C, 10% ~ 90% RH
Color Temperature (CCT):	3000K, 4000K, 5000K, 5700K
Color Rendering Index (CRI):	≥70
Housing:	Die-cast Aluminum
IP Rating of LED Light Engine:	IP68
IP Rating of Engine Compartment:	IP66
IP Rating of Electrical Compartment:	IP66
Warranty:	5 Years Limited

Applications

- Roadway lighting
(Urban roads, residential areas, overpasses...)
- Public areas lighting
(Theme parks, squares, parking lots...)

Features

Construction

- Die-cast aluminum housing.
- Die-cast latches provide easy, tool-less access to the electrical compartment.
- Unique patented IP68 (highest protection level) LED light engines.
- IP66 rated engine compartment sealed with tempered glass.

Distribution

- Ergonomic and dedicated lighting distributions are available for various roadway applications.

Control

- Optional NEMA receptacle & photocell/shorting cap.

Finishing Colors

	Gray		Black
	White		Blue



T12A

LED Street Light

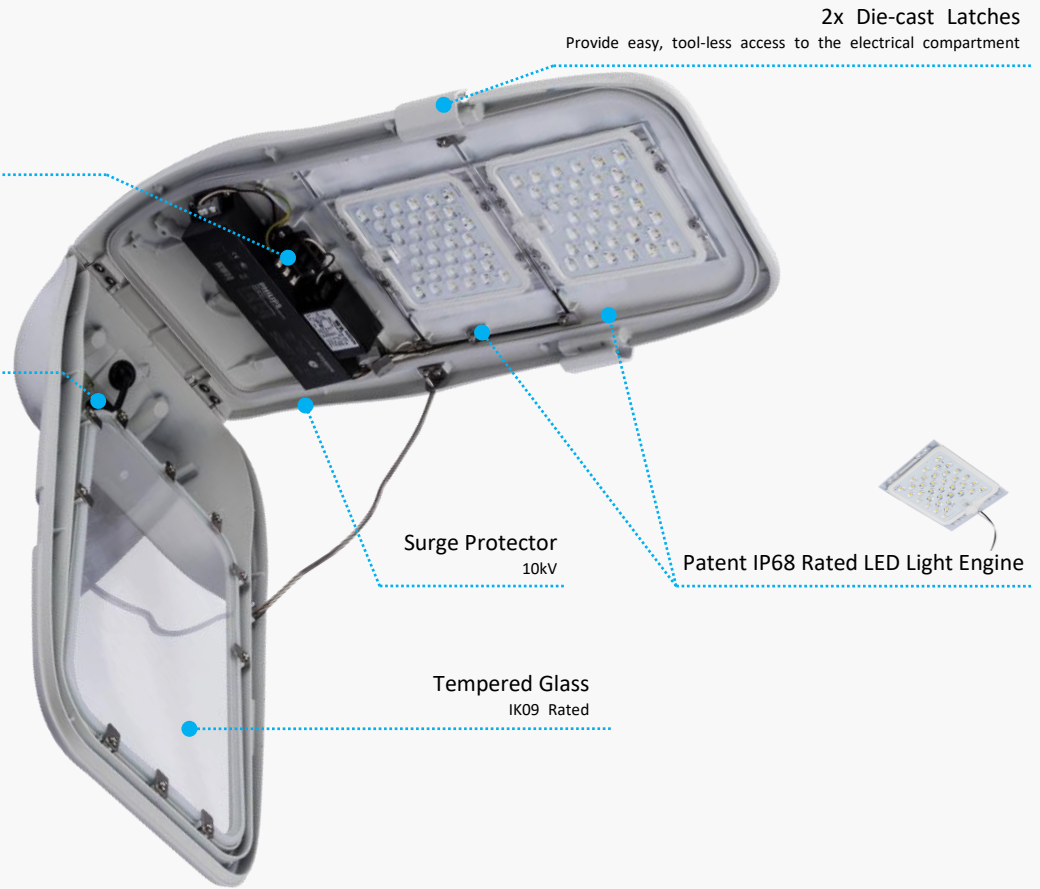
Design Features



Electrical Disconnecter
Immediate disconnection of power supply



Terminal Block
For easy cable connection



Dimensions

Model	L (mm)	W (mm)	H (mm)	ΦD (mm)	N.W.* (kg)
T12A-1	630	330	150	66	6.1
T12A-2	755	330	150	66	7.9
T12A-4	880	470	155	66	13.1

* Values shown are subject to ±5% tolerance.

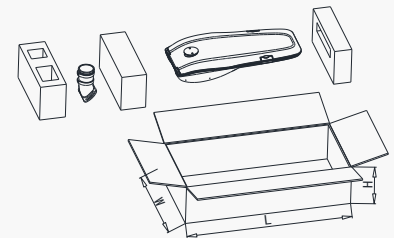
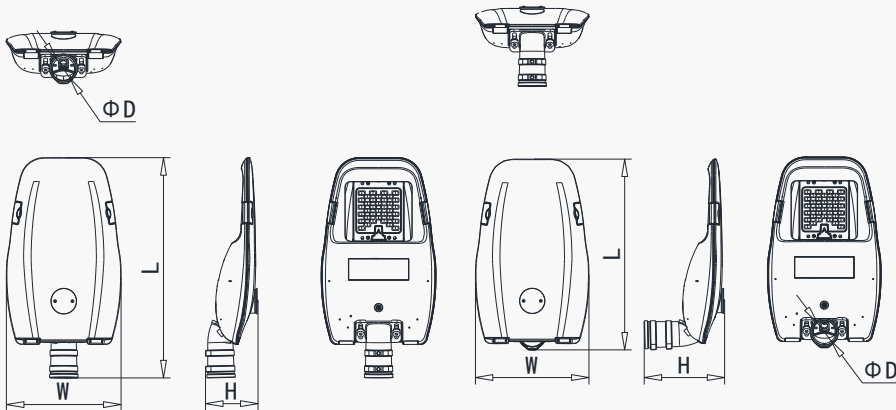
Model	L (mm)	W (mm)	H (mm)	ΦD (mm)	N.W.* (kg)
T12A-1	550	330	235	66	6.1
T12A-2	675	330	235	66	7.9
T12A-4	805	470	240	66	13.1

* Values shown are subject to ±5% tolerance.

Package Information

Model	L (mm)	W (mm)	H (mm)	G.W.* (kg)
T12A-1	745	430	210	9.0
T12A-2	865	430	210	10.3
T12A-4	1040	550	245	15.7

* Values shown are subject to ±5% tolerance.



T12A

LED Street Light

Ordering Information

Example: T12A-2-120-M7C-XBH-24-1941-7040-CM-IN-GY

Luminary Type	Module Qty.	System Power	LED Module Type	Module Interface Type	LED Package	Cable Standard	LED Qty. per module
T Street light	1 1pcs LED module	30 30W	M7A M7A module	X	A 3535	A CCC+VDE	8 8pcs
12A 12A series	2 2pcs LED modules	40 40W	M7B M7B module	X type groove	B 5050	C PSE	9 9pcs
	4 4pcs LED modules	...	M7C M7C module			H UL	18 18pcs
		240 240W	M7D M7D module			X OTHER	24 24pcs
							36 36pcs

Lens Code	CRI & CCT	Brand of LEDs	Driver Brand	Housing Color
1991 Type I Short	5892 Type II Short	7030 Ra≥70, 3000K	LU LUMILEDS	IN INVENTRONICS
1981 Type I Short	5882 Type II Short	7040 Ra≥70, 4000K	LN LUMINUS	PH PHILIPS
1941 Type I Short	2841 Type I Short	7050 Ra≥70, 5000K	CM CUSTOMIZATION	MO MOSO
1961 Type I Short	2861 Type I Short	7057 Ra≥70, 5700K	XX OTHER	XX OTHER
1967 Type I Short	2441 Type III Shoet			
1969 Type II Short	2442 Type IV Short			
2967 Type II Short	2462 Type I Medium			
2968 Type I Short				
5050 LEDs	3535 LEDs			

Performance

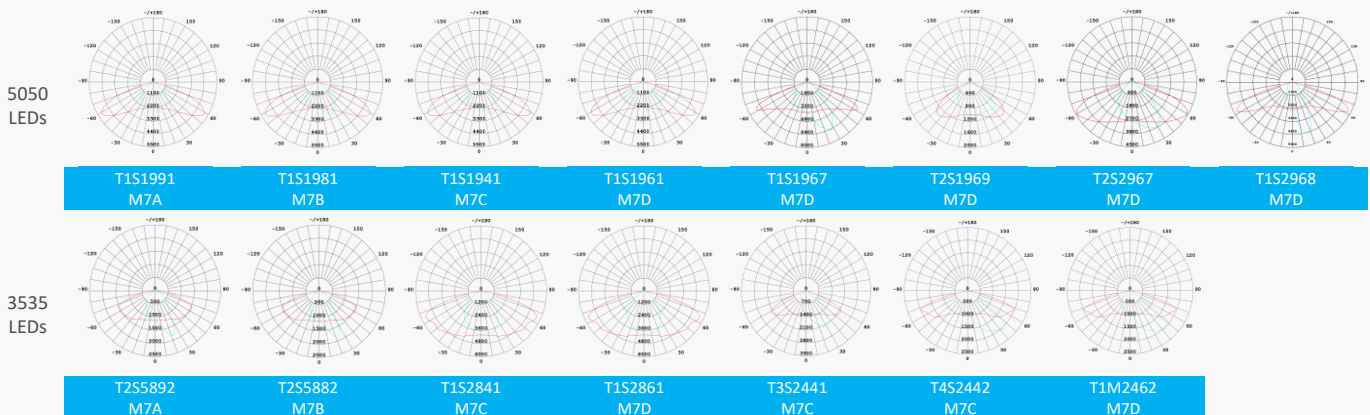
Model	Power (W)	5050 LEDs-18pcs		5050 LEDs-8pcs		3535 LEDs-18pcs		3535 LEDs-9pcs	
		Efficacy (lm/W)	Lumens (lm)	Efficacy (lm/W)	Efficacy (lm/W)	Lumens (lm)	Lumens (lm)	Efficacy (lm/W)	Lumens (lm)
T12A-1	30	140	4,200	121	3,630	115	3,450	103	3,090

Model	Power (W)	5050 LEDs-36pcs		5050 LEDs-24pcs		3535 LEDs-36pcs		3535 LEDs-24pcs	
		Efficacy (lm/W)	Lumens (lm)	Efficacy (lm/W)	Efficacy (lm/W)	Lumens (lm)	Lumens (lm)	Efficacy (lm/W)	Lumens (lm)
T12A-1	40	155	6,200	143	5,720	125	5,000	117	4,680
	50	150	7,500	138	6,900	120	6,000	113	5,650
	60	143	8,580	132	7,920	115	6,900	107	6,420
T12A-2	80	162	12,960	149	11,920	130	10,400	123	9,840
	100	156	15,600	144	14,400	125	12,500	117	11,700
	120	149	17,880	138	16,560	120	14,400	112	13,440
T12A-4	160	162	25,920	149	23,840	127	20,320	120	19,200
	200	156	31,200	144	28,800	123	24,600	115	23,000
	240	149	35,760	138	33,120	117	28,080	110	26,400

*Above values are calculated based on the product with CCT over 3000K, values of 3000K are 5% lower than above values.

*Values shown are subject to ±5%~±8% tolerance.

Distributions



T12A

LED Street Light

Accessories

Photocell



Photocell

Shorting Cap

Version History

Change Date	Version	Item	Description of Change	
			From	To
2018/09/03	/	Datasheet release		