

T65

LED Street Light



Specifications

Input Voltage:	100 ~ 277Vac
Input Frequency:	50 / 60Hz
Power Factor (PF):	0.95
Surge Protection Level:	10kV line-earth
Operating Environment:	-40°C ~ +50°C, 10% ~ 90% RH
Color Temperature (CCT):	3000K, 4000K, 5000K, 5700K
Color Rendering Index (CRI):	≥70
Housing:	Die-cast Aluminum
IP Rating of LED Light Engine:	IP68
IP Rating of Engine Compartment:	IP66
IP Rating of Electrical Compartment:	IP66
Impact Protection Level:	IK08
Warranty:	5 Years Limited

Applications

- Roadway lighting
(Urban roads, residential areas, overpasses...)
- Public areas lighting
(Theme parks, squares, parking lots...)

Features

Construction

- Die-cast aluminum housing.
- Latches provide easy, tool-less access to the electrical compartment.
- Unique patented IP68 (highest protection level) LED light engines.
- IP66 rated engine compartment sealed with tempered glass.


Distribution

- Ergonomic and dedicated lighting distributions are available for various roadway applications.

Control

- Optional NEMA receptacle & photocell/shorting cap.

Finishing Colors

	Gray		Black
	White		Blue



T65

LED Street Light

Ordering Information

Example: T65-N1-60-BA-34-1881-7040-CM-MO-GY

Luminary Type	Module Qty.	System Power	LEDs Type	Cable Type	Qty. of LEDs	
T Street light 65 65 series	N1 1pcs Integral LED module N2 2pcs Integral LED module N3 3pcs Integral LED module N4 4pcs Integral LED module	60 60W 120 120W 180 180W 240 240W	B 5050	A CCC+VDE C PSE H UL X OTHER	34 34pcs	
Lens Code	CRI	CCT	Brand of LEDs	Driver Brand	Housing Color	
1881 Type I Short 1882 Type II Short 2883 Type III Short	1884 Type I Short 1885 Type II Short 2886 Type III Short	60 Ra≥60 70 Ra≥70 80 Ra≥80 90 Ra≥90	30 3000K 40 4000K 50 5000K 57 5700K	LU LUMILEDS LN LUMINUS CM CUSTOMIZATION XX OTHER	IN INVENTRONICS MO MOSO XX OTHER	BK Black WH White BU Blue GY Gray
T65N1 & T65N2	T65N3 & T65N4					

Performance

Model	Power (W)	Efficacy (lm/W)	Lumens (lm)
T65N1	60	146	8,760
T65N2	120	153	18,360
T65N3	180	153	27,540
T65N4	240	153	36,720

*Above values are calculated based on the product with CCT over 3000K, values of 3000K are 5% lower than above values.

*Values shown are subject to ±5%~±8% tolerance.

Dimensions

Model	L (mm)	W (mm)	H (mm)	N.W.* (kg)
T65N1	540	240	165	4.5
T65N2	670	240	165	5.4
T65N3	735	310	165	7.1
T65N4	835	310	165	8.2

* Values shown are subject to ±5% tolerance.

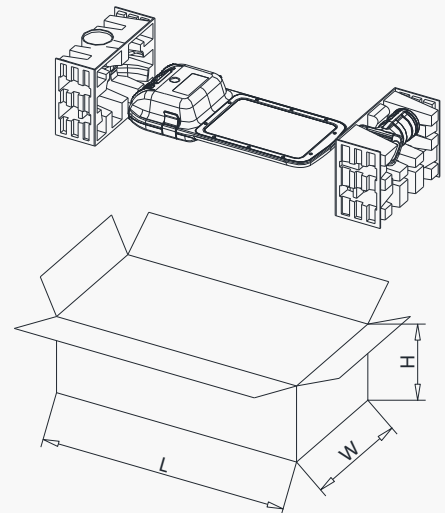
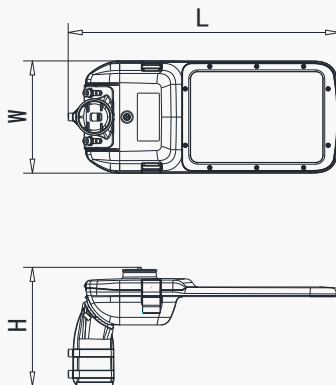
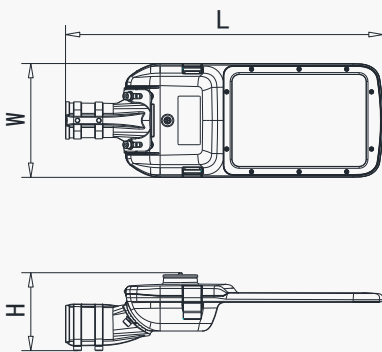
Model	L (mm)	W (mm)	H (mm)	N.W.* (kg)
T65N1	450	240	255	4.5
T65N2	580	240	255	5.4
T65N3	645	310	255	7.1
T65N4	745	310	255	8.2

* Values shown are subject to ±5% tolerance.

Package Information

Model	L (mm)	W (mm)	H (mm)	G.W.* (kg)
T65N1	520	315	235	5.6
T65N2	650	315	235	6.7
T65N3	710	410	230	8.7
T65N4	810	410	230	10.0

* Values shown are subject to ±5% tolerance.



T65

LED Street Light

Distributions



Accessories

Optional Adapter



Photocell



Model Name	Mounting O.D. (mm)	Max. Mounting Depth (mm)
L50	Φ40~Φ50	90
L60	Φ55~Φ65	100
L70	Φ66~Φ76	100

Photocell	Shorting Cap
-----------	--------------

Version History

Change Date	Version	Item	Description of Change	
			From	To
2019/08/30	Ver.2.0	Datasheet Release		
2020/01/15	Ver.2.1	Package Information	T65-N1 635*315*240mm	T65-N1 520*315*235mm
			T65-N2 765*315*240mm	T65-N2 650*315*235mm
			T65-N3 830*410*230mm	T65-N3 710*410*230mm
			T65-N4 930*410*230mm	T65-N4 810*410*230mm