

## LED Module M66A Series



M66A-VC



M66A-CC

### Specification

Working Temperature: - 40°C~+50°C

Storage Temperature: - 40°C~+50°C

Relative Humidity: 10%~90%RH

Typical Value of Pad Temperature<sup>[1]</sup>: 60°C

IP Rating of Led Light Engine: IP68

Impact Protection Level: IK09

Color Temperature (CCT): 3000K,4000K,5000K,5700K

Housing: Die-cast Aluminum-ADC12

Note:

Typical values of pad temperature is obtained based on 60W with a ambient temperature of 25°C.

### Features

- LED 3030 Package
- Super long lifetime(Lumen maintenance)
- Abundant light distribution options for a broad range of applications
- Stron weathe resistance and wide applicability for complex situations
- High versatility apply for all sorts of lamps retrofit

### Application

Street lighting retrofit and application

Tunnel lighting retrofit and application

Area lighting retrofit and application

Flood lighting retrofit and application

### Ordering Information

For Example: M66A-CCA-90-2510-7040-LU

Model	Interface	Dimension of LEDs	Wire Material	LEDQty	Lens Model		CRI & CCT	LED Brand
M66A	C: CSA V: V-shaped	C: 3030 Package	A:CCC+VDE	90: 90 PCS	2523 T2M Vertical	5540 40D	7030: Ra≥70, 3000K	LU: Lumileds HP: HPWINNER
					2510 T2M	5590 90D	7040: Ra≥70, 4000K	
					5512 T2M	6525 25D	7050: Ra≥70, 5000K	
					6513 T3M	6560 60D	7050: Ra≥70, 5700K	

Note: See Appendix for light distribution curves for specific lenses.

### Performance

Model	Power(W)	Driving Current (mA)	Input Voltage (Vdc)	Efficacy (lm/W)	Lumens (lm)
M66A-CC/VC	40	700	48~61	160	6400
M66A-CC/VC	50	860	48~61	155	7750
M66A-CC/VC	60	1050	48~61	150	9000

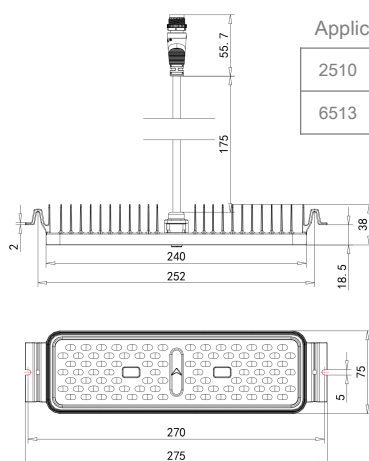
Note: The above parameters are typical values, based on the color temperature of the module 4000K, power efficiency of 92% of the conditions.  
Light efficacy of 3000K is 5% lower than other CCTs.

### Product and Packing Dimension

Model	Product Dimension			Packing Dimension			N.W. ( kg )	Package ( PCS )	G.W. ( kg )
	L ( mm )	W ( mm )	H ( mm )	L ( mm )	W ( mm )	H ( mm )			
M66A-VC	275	75	38	590	340	180	0.58	20	12.5
M66A-CC	300	75	37	630	300	170	0.56	20	12.0

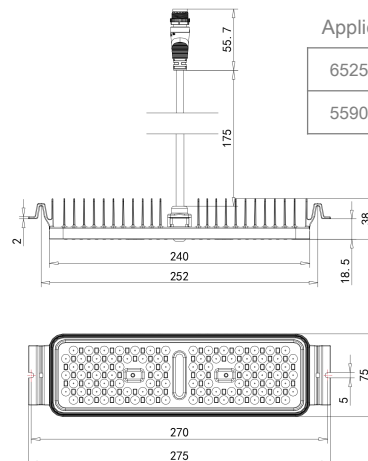
Note: The above parameters are typical values, Values shown are subject to ±5%~±8% tolerance.

#### M66A-VC Product Diagram



Applicable Lens Types

2510	5512	2523
6513		

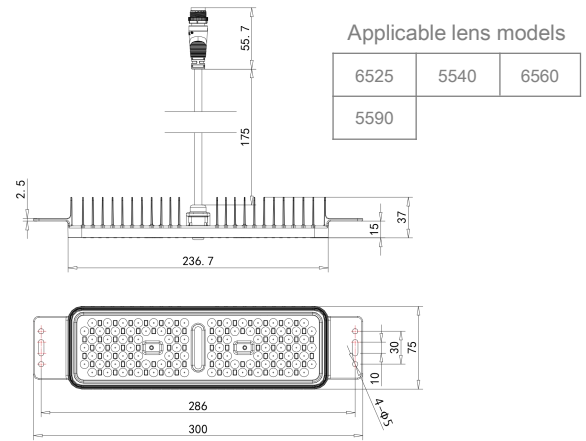
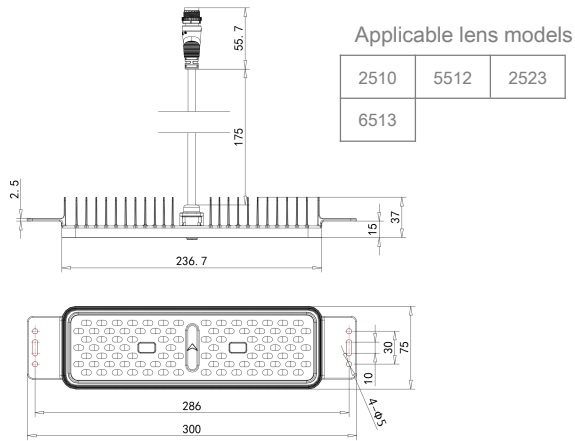


Applicable Lens Types

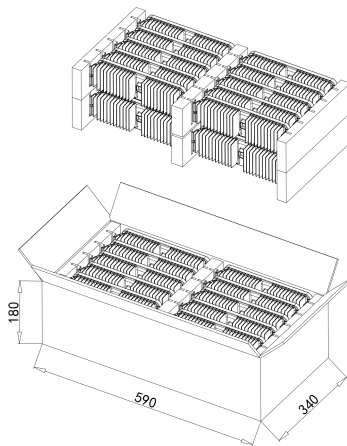
6525	5540	6560
5590		

( Continued from previous page )

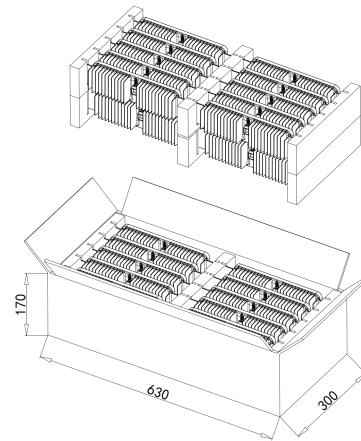
M66A-CC Product Diagram



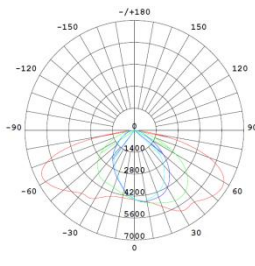
M66A-VC Packing Diagram



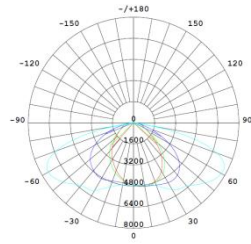
M66A-CC Packing Diagram



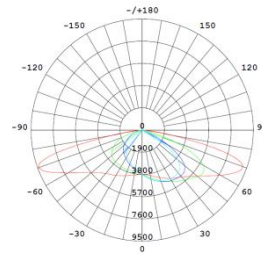
Appendix : Lighting Distributions



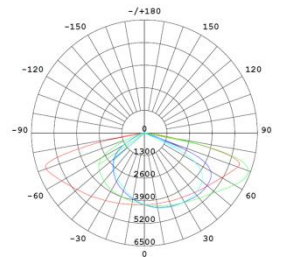
2510 ( T2M )



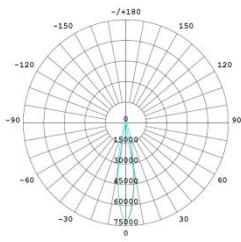
2523 ( T2M Vertical )



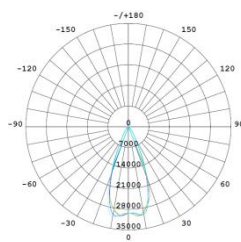
5512 ( T2M )



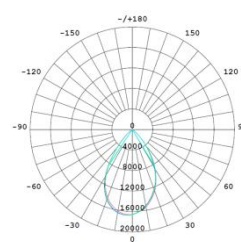
6513 ( T3M )



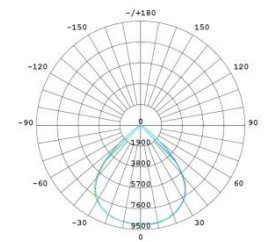
6525 ( 25D )



5540 ( 40D )



6560 ( 60D )



5590 ( 90D )