

T1QMAX

LED Street Light



Specifications

Input Voltage:	100 ~ 240Vac
Input Frequency:	50 / 60Hz
Power Factor (PF):	0.95
Surge Protection Level:	10kV line-earth
Operating Environment:	-40°C ~ +50°C, 10% ~ 90% RH
Color Temperature (CCT)*:	3000K, 4000K, 5000K, 5700K
Color Rendering Index (CRI):	≥70
Housing:	Die-cast Aluminum
IP Rating of LED Light Engine:	IP68
IP Rating of Luminaire:	IP66
Impact Protection Level:	IK08
Warranty:	5 Years Limited

Applications

- Roadway lighting
(Residential areas, overpasses, alleys...)
- Public areas lighting
(Theme parks, squares, parking lots...)

Features

High Protection

- The 4th generation IP68 rated LED light engines.

High Efficacy

- Up to 190 lm/W with new generation customized high-efficiency LEDs.

Construction

- Whole structure heating dissipation design with best thermal conduction and radiation.
- Available in Class I and Class II options.

Control

- Sensor available (on/off).

Mounting

- Available to suit a $\varnothing 60\text{mm}$ or $\varnothing 40\text{mm}$ pole.

Finishing Colors

■ Gray □ White



T1QMAX

LED Street Light

Ordering Information

Example: T1QMAX-N1-60-BA-66-6201-7040-HPW-HP-WH

Luminary Type	Module Qty.	System Power	LEDs Type	Cable Type	Qty. of LEDs
T1QMAX	N1 1pcs Integral LED module	40 40W 50 50W 60 60W	B 5050	A CCC+VDE C PSE H UL X OTHER	66 66pcs
Lens Code	CRI	CCT	LEDs Brand	Driver Brand	Housing Color
6201 Type III Medium	60 Ra≥60 70 Ra≥70 80 Ra≥80 90 Ra≥90	30 3000K 40 4000K 50 5000K 57 5700K	HPW HPWINNER XX OTHER	HP HPWINNER	GY Gray WH White

Performance

Model	Power (W)	Efficacy (lm/W)	Lumens (lm)
T1QMAX	40	190	7,600
	50	188	9,400
	60	185	11,100

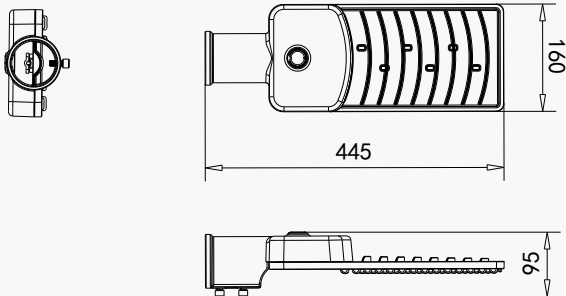
*Above values are calculated based on the product with CCT over 3000K, values of 3000K are 5% lower than above values.

*Values shown are subject to ±5%~±8% tolerance.

Dimensions

Model	L (mm)	W (mm)	H (mm)	Available Pole O.D. (mm)	Mounting Depth (mm)	N.W.* (kg)
T1QMAX	445	160	95	Φ57~63	65	1.9
				Φ40~45	80	

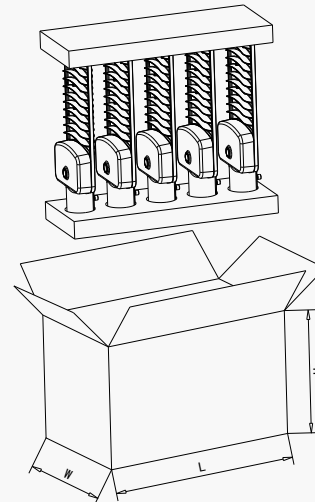
Note: Values shown are subject to ±5% tolerance.



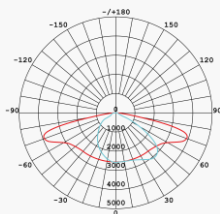
Package Information

Model	Description	L (mm)	W (mm)	H (mm)	G.W.* (kg)
T1QMAX	5pcs/carton	610	490	250	10.8

Note: Values shown are subject to ±5% tolerance.



Distributions



T3M6201

Accessories



PA Series

Version History

Change Date	Version	Description of Change		
		Item	From	To
2023/08/11	Ver. 2.0	Datasheets release		