

# T2QMAX

## LED Street Light



### Specifications

<b>Input Voltage:</b>	100 ~ 240Vac
<b>Input Frequency:</b>	50 / 60Hz
<b>Power Factor (PF):</b>	0.95
<b>Surge Protection Level:</b>	10kV line-earth
<b>Operating Environment:</b>	-40°C ~ +50°C, 10% ~ 90% RH
<b>Color Temperature (CCT)*:</b>	3000K, 4000K, 5000K, 5700K
<b>Color Rendering Index (CRI):</b>	≥70
<b>Housing:</b>	Die-cast Aluminum
<b>IP Rating of LED Light Engine:</b>	IP68
<b>IP Rating of Luminaire:</b>	IP66
<b>Impact Protection Level:</b>	IK08
<b>Warranty:</b>	5 Years Limited

### Applications

- Roadway lighting  
(Residential areas, overpasses, alleys...)
- Public areas lighting  
(Theme parks, squares, parking lots...)

### Features

#### High Protection

- The 4th generation IP68 rated LED light engines.

#### High Efficacy

- Up to 190 lm/W with new generation customized high-efficiency LEDs.

#### Construction

- Whole structure heating dissipation design with best thermal conduction and radiation.
- Available in Class I and Class II options.

#### Control

- Sensor available (on/off).

#### Mounting

- Available to suit a  $\varnothing 60\text{mm}$  or  $\varnothing 40\text{mm}$  pole.

### Finishing Colors

■ Gray    □ White



# T2QMAX

LED Street Light

## Ordering Information

Example: T2QMAX-N1-100-BA-100-6202-7040-HPW-HP-WH

Luminary Type	Module Qty.	System Power	LEDs Type	Cable Type	Qty. of LEDs
<b>T2QMAX</b>	<b>N1</b> 1pcs Integral LED module	<b>80</b> 80W <b>90</b> 90W <b>100</b> 100W	<b>B</b> 5050	<b>A</b> CCC+VDE <b>C</b> PSE <b>H</b> UL <b>X</b> OTHER	<b>100</b> 100pcs
Lens Code	CRI	CCT	LEDs Brand	Driver Brand	Housing Color
<b>6202</b> Type III Medium	<b>60</b> Ra≥60 <b>70</b> Ra≥70 <b>80</b> Ra≥80 <b>90</b> Ra≥90	<b>30</b> 3000K <b>40</b> 4000K <b>50</b> 5000K <b>57</b> 5700K	<b>HPW</b> HPWINNER <b>XX</b> OTHER	<b>HP</b> HPWINNER	<b>GY</b> Gray <b>WH</b> White

## Performance

Model	Power (W)	Efficacy (lm/W)	Lumens (lm)
T2QMAX	80	190	15,200
	90	188	16,920
	100	185	18,500

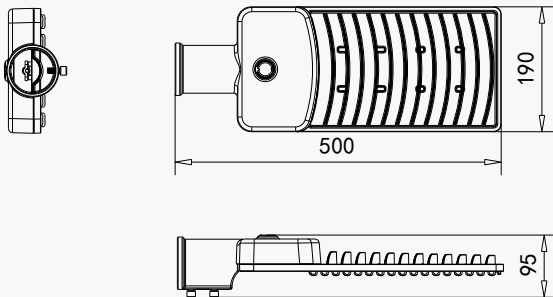
\*Above values are calculated based on the product with CCT over 3000K, values of 3000K are 5% lower than above values.

\*Values shown are subject to ±5%~±8% tolerance.

## Dimensions

Model	L (mm)	W (mm)	H (mm)	Available Pole O.D. (mm)	Mounting Depth (mm)	N.W.* (kg)
T2QMAX	500	190	95	Φ57~63	65	2.5
				Φ40~45	80	

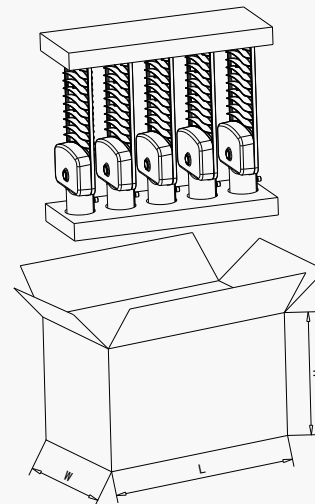
Note: Values shown are subject to ±5% tolerance.



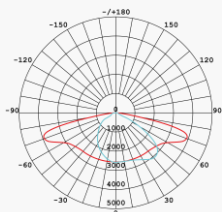
## Package Information

Model	Description	L (mm)	W (mm)	H (mm)	G.W.* (kg)
T2QMAX	5pcs/carton	610	550	250	13.8

Note: Values shown are subject to ±5% tolerance.



## Distributions



## Accessories



T3M6202

PA Series

## Version History

Change Date	Version	Description of Change		
		Item	From	To
2023/08/11	Ver. 2.0	Datasheets release		