

LED Module M66A Series



M66A-VC



M66A-CC

Specification

Working Temperature: - 40°C~+50°C

Storage Temperature: - 40°C~+50°C

Relative Humidity: 10%~90%RH

Typical Value of Pad Temperature^[1]: 60°C

IP Rating of Led Light Engine: IP68

Impact Protection Level: IK09

Color Temperature (CCT): 3000K,4000K,5000K,5700K

Housing: Die-cast Aluminum-ADC12

Note:

Typical values of pad temperature is obtained based on 60W with a ambient temperature of 25°C.

Features

- LED 3030 Package
- Super long lifetime(Lumen maintenance)
- Abundant light distribution options for a broad range of applications
- Stron weathe resistance and wide applicability for complex situations
- High versatility apply for all sorts of lamps retrofit

Application

Street lighting retrofit and application

Tunnel lighting retrofit and application

Area lighting retrofit and application

Flood lighting retrofit and application

Ordering Information

For Example: M66A-CCA-90-2510-7040-LU

Model	Interface	Dimension of LEDs	Wire Material	LEDQty	Lens Model		CRI & CCT	LED Brand
M66A	C: CSA V: V-shaped	C: 3030 Package	A:CCC+VDE	90: 90 PCS	2523 T2M Vertical	5540 40D	7030: Ra≥70, 3000K	LU: Lumileds HP: HPWINNER
					2510 T2M	5590 90D	7040: Ra≥70, 4000K	
					5512 T2M	6525 25D	7050: Ra≥70, 5000K	
					6513 T3M	6560 60D	7050: Ra≥70, 5700K	

Note: See Appendix for light distribution curves for specific lenses.

Performance

Model	Power(W)	Driving Current (mA)	Input Voltage (Vdc)	Efficacy (lm/W)	Lumens (lm)
M66A-CC/VC	40	700	48~61	160	6400
M66A-CC/VC	50	860	48~61	155	7750
M66A-CC/VC	60	1050	48~61	150	9000

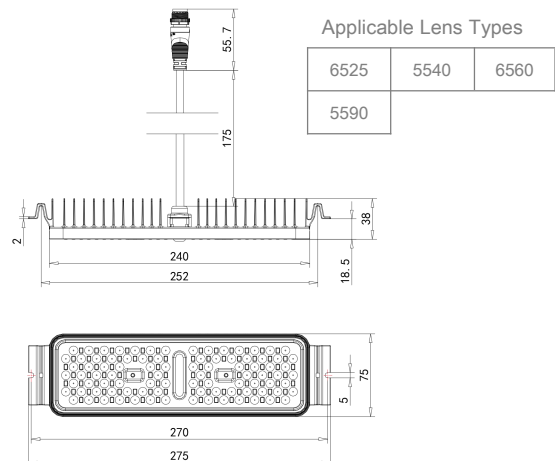
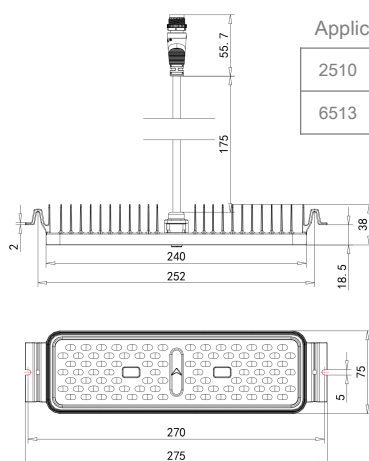
Note: The above parameters are typical values, based on the color temperature of the module 4000K, power efficiency of 92% of the conditions.
Light efficacy of 3000K is 5% lower than other CCTs.

Product and Packing Dimension

Model	Product Dimension			Packing Dimension			N.W. (kg)	Package (PCS)	G.W. (kg)
	L (mm)	W (mm)	H (mm)	L (mm)	W (mm)	H (mm)			
M66A-VC	275	75	38	590	340	180	0.58	20	12.5
M66A-CC	300	75	37	630	300	170	0.56	20	12.0

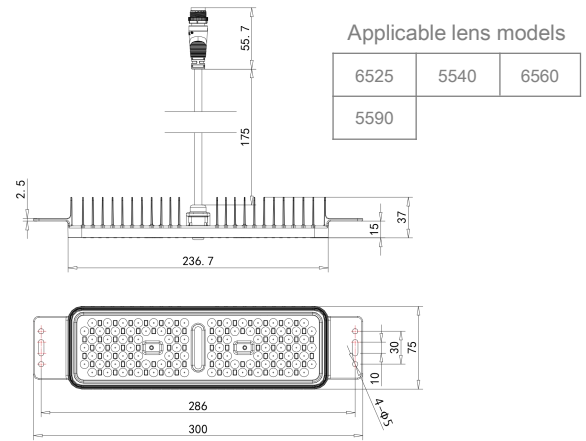
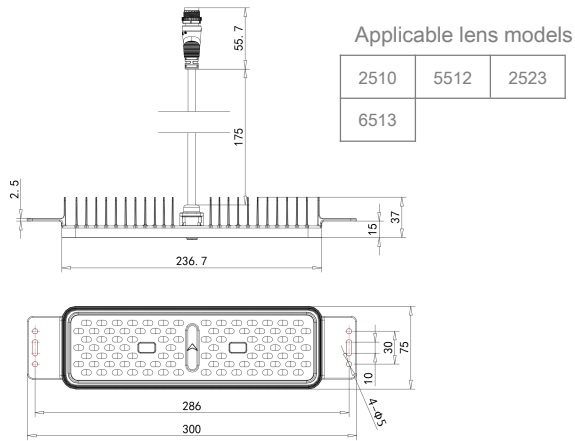
Note: The above parameters are typical values, Values shown are subject to ±5%~±8% tolerance.

M66A-VC Product Diagram

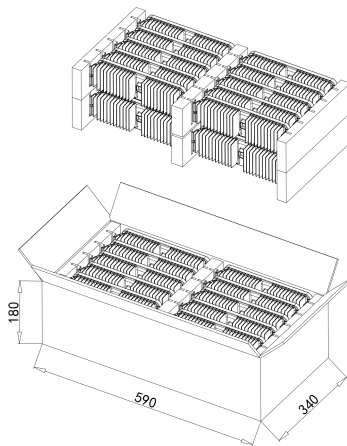


(Continued from previous page)

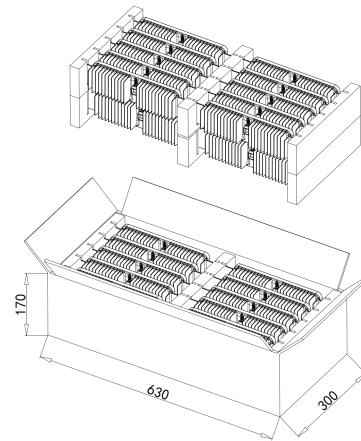
M66A-CC Product Diagram



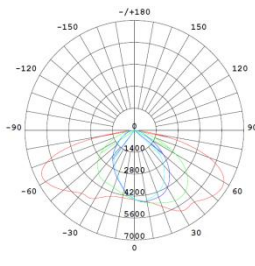
M66A-VC Packing Diagram



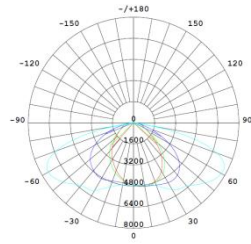
M66A-CC Packing Diagram



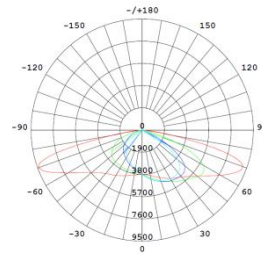
Appendix : Lighting Distributions



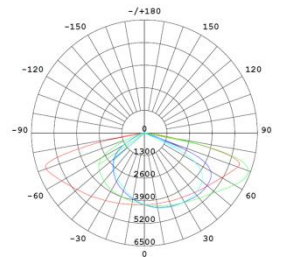
2510 (T2M)



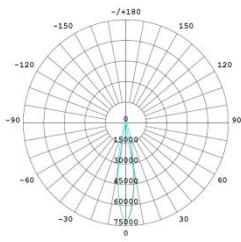
2523 (T2M Vertical)



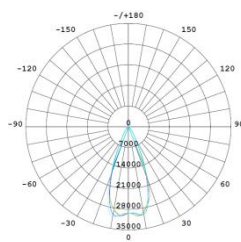
5512 (T2M)



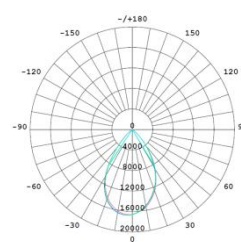
6513 (T3M)



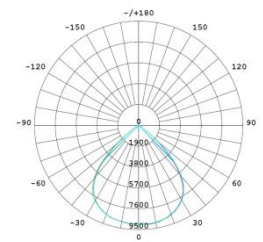
6525 (25D)



5540 (40D)



6560 (60D)



5590 (90D)