

T88

LED Street Light



Specifications

Input Voltage:	200 ~ 240Vac
Input Frequency:	50 / 60Hz
Power Factor (PF):	0.95
Surge Protection Level:	10kV line-earth
Operating Environment:	-40°C ~ +50°C, 10% ~ 90% RH
Color Temperature (CCT):	3000K, 4000K, 5000K, 5700K
Color Rendering Index (CRI):	≥70
Housing:	Die-cast Aluminum
IP Rating of Engine Compartment:	IP68
IP Rating of Electrical Compartment:	IP66
IK Rating:	IK08
Warranty:	5 Years Limited

Applications

- Roadway lighting
(Urban roads, residential areas, overpasses...)
- Public areas lighting
(Theme parks, squares, parking lots...)

Features

High Protection

- The 4th generation IP68 rated LED light engines.

High Efficacy

- Up to 200 lm/W with new generation customized high-efficiency LEDs.

Construction

- Tool-less access to the electrical compartment.

Distribution

- Ergonomic and dedicated lighting distributions are available for various roadway applications.

Control

- Optional NEMA receptacle & photocell/shorting cap.

Mounting

- Available in side entry & post top installation.

Finishing Colors



LED Street Light

Ordering Information

Example: T88S03P030-BA-36-2170-7040-HPW-HP-GY

Luminary Type	System Power	LEDs Type	Cable Type	Qty. of LEDs per module
T88S03	P020 20W	B 5050	A CCC+VDE	36 36pcs
T88S06	P030 30W		C PSE	72 72pcs
T88M10	...		H UL	108 108pcs
T88L15	P200 200W		X OTHER	144 144pcs
Lens Code	CRI & CCT	Brand of LEDs	Driver Brand	Housing Color
2170 Type I Short	7030 Ra≥70, 3000K	HPW HPWINNER	HP HPWINNER	BK Black
2171 Type II Short	7040 Ra≥70, 4000K	LU LUMILEDS	OTH OTHER	WH White
2173 Type II Medium	7050 Ra≥70, 5000K	SN SANAN		DG Dark Gray
2174 Type III Medium	7057 Ra≥70, 5700K	XX OTHER		GY Gray

Performance

Model	Power (W)	Qty. of LEDs per module	Efficacy (lm/W)	Lumens (lm)
T88S03	20	36pcs	180	3,600
	30		179	5,370
	40		178	7,120
	50		176	8,800
	60		173	10,380
T88S06	50	72pcs	190	9,500
	60		189	11,340
	70		187	13,090
T88M10	80	108pcs	191	15,280
	90		190	17,100
	100		189	18,900
	110		188	20,680
	120		186	22,320
	130		184	23,920
	140		183	25,620
	150		183	27,450
T88L15	110	144pcs	196	21,560
	120		195	23,400
	130		195	25,350
	140		194	27,160
	150		194	29,100
	160		193	30,880
	170		191	32,470
	180		190	34,200
	190		188	35,720
	200		186	37,200

*Above values are calculated based on the product with CCT over 3000K, values of 3000K are 5% lower than above values.

*Values shown are subject to ±5%~±8% tolerance.

LED Street Light

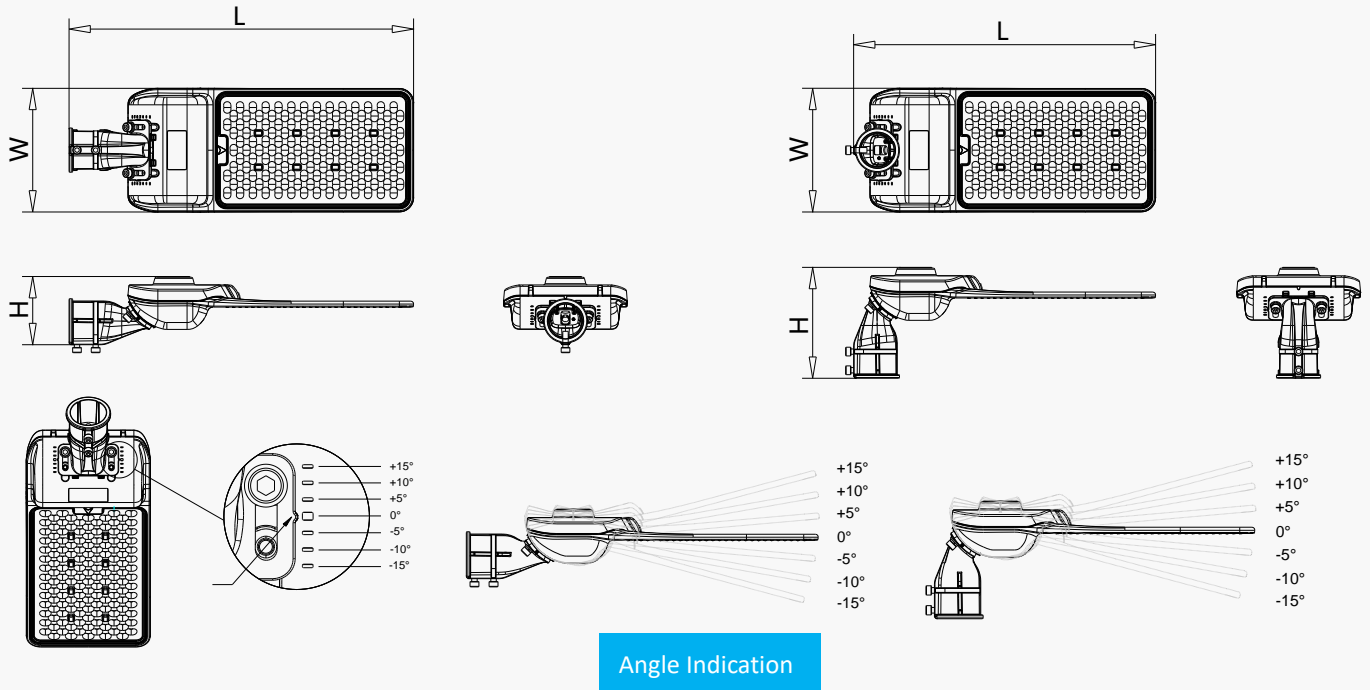
Dimensions

Model	L (mm)	W (mm)	H (mm)	Available Pole O.D. (mm)	Available Depth for Installation (mm)	N.W.* (kg)
T88S03	410	180	130	Φ57~63	≥80	2.4
T88S06	530	180	130	Φ57~63	≥80	2.6
T88M10	565	235	130	Φ57~63	≥80	3.4
T88L15	650	235	130	Φ57~63	≥80	3.9

* Values shown are subject to ±5% tolerance.

Model	L (mm)	W (mm)	H (mm)	Available Pole O.D. (mm)	Available Depth for Installation (mm)	N.W.* (kg)
T88S03	340	180	200	Φ57~63	≥80	2.4
T88S06	460	180	200	Φ57~63	≥80	2.6
T88M10	485	235	210	Φ57~63	≥80	3.4
T88L15	570	235	210	Φ57~63	≥80	3.9

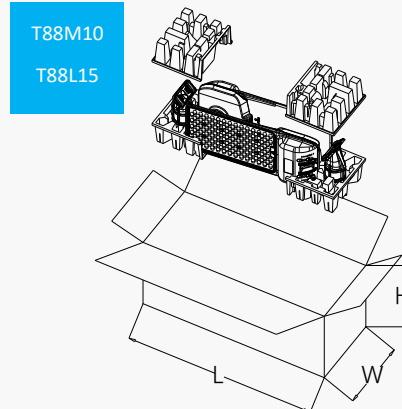
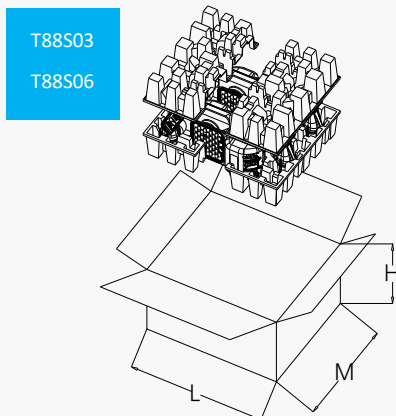
* Values shown are subject to ±5% tolerance.



Package Information

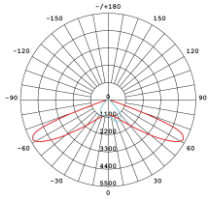
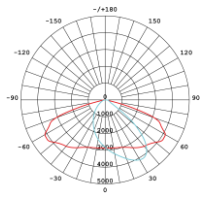
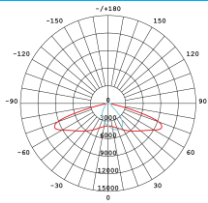
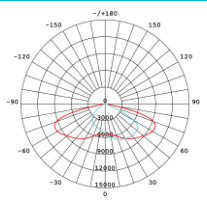
Model	L (mm)	W (mm)	H (mm)	Qty. per Carton	G.W.* (kg)
T88S03	610	500	250	4pcs	12.2
T88S06	720	500	250	4pcs	13.4
T88M10	720	250	290	2pcs	8.3
T88L15	800	250	290	2pcs	9.4

*Values shown are subject to ±5% tolerance.



LED Street Light

Distributions

Model	LEDs Qty.	T1S2170	Model	LEDs Qty.	T2S2171
T88S03	36pcs		T88S06	72pcs	
Model	LEDs Qty.	T2M2173	Model	LEDs Qty.	T3M2174
T88M10	108pcs		T88L15	144pcs	

Accessories



Photocell

Shorting Cap